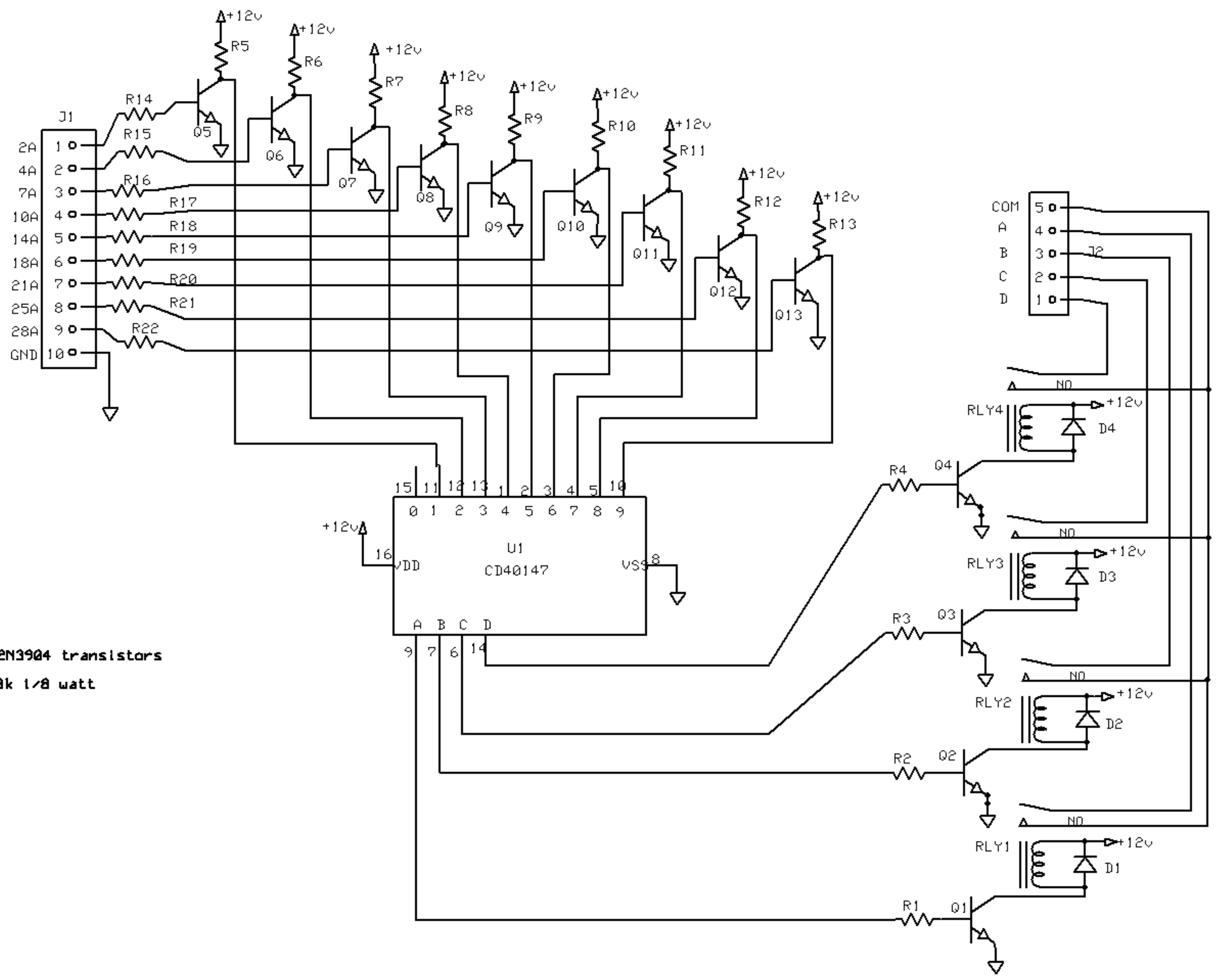


- 1.6 - 2.0 MHz (160m) (2A) 2A
- 2.0 - 4.0 MHz (80m) (4A) 4A
- 4.0 - 7.5 MHz (40m) (7A) 7A
- 7.5 - 10.5 MHz (30m) (10A) 10A
- 10.5 - 14.5 MHz (20m) (14A) 14A
- 14.5 - 18.5 MHz (17m) (18A) 18A
- 18.5 - 21.5 MHz (15m) (21A) 21A
- 21.5 - 25.0 MHz (12m) (25A) 25A
- 25.0 - 30.0 MHz (10m) (28A) 28A



Note 1: Q1 through Q13 are 2N3904 transistors
 Note 2: All resistors are 10k 1/8 watt

Kenwood to Yaesu Interface		
TS-850 to FL-7000 band data		
AA3M john	Rev 1.0	Automatic band
	10/3/2006	